

KREBER

MACHINES FOR INDUSTRIAL AND HOUSING CONSTRUCTION

* trowels * milling machines * vibrators * vibrating strips * soil compactors * petrol saws *
* grinders * spare parts * service *

87 – 200 Wąbrzeźno, ul. Okrężna 22; tel. (0-56) 68 864 48

K - 436 -2 „TWIN” TROWEL

USER MANUAL



**DECLARATION OF CONFORMITY**

MANUFACTURER: KREBER Maszyny Budowlane Sp. z o.o.
ul. Okrężna 22
87-200 Wąbrzeźno

The manufacturer declares with full responsibility that:

Trowel

**Type: K-436-2 “TWIN”
with rated power of – 16,5 kW
and serial number**

measured sound power level $L_{wa} \text{ (measured)} = 102$ with an uncertainty of 0.6 dB
guaranteed sound power level $L_{wa} = 103$ dB

meets the following requirements:

- Council Directive 2006/42/EC of 17.05.2006, introduced into Polish legislation by the Regulation of the Minister of Economy of October 21, 2008. on the essential requirements for machines (Journal of Laws of 2008 No. 199, item 1228).
- Council Directive 2006/95/EC of 12.12.2006, introduced into Polish legislation by the Regulation of the Minister of Economy of August 21, 2007 on the essential requirements for electrical equipment (Journal of Laws of 2007 No. 155, item 1089).
- Council Directive 2004/108/EC of November 20, 2006, introduced into Polish legislation by the Act of 13 April 2007 on electromagnetic compatibility (Journal of Laws of 2007 No. 82, item 556).

*Details of the body that carried out the EC type-examination:
Instytut Zaawansowanych Technologii Wytwarzania (Institute of Advanced Manufacturing
Technology)
ul. Wrocławska 37a; 30-011 Kraków; Notification number: 1455*

Person authorized to prepare and store
technical documentation
Michał Kubizna

PROXY
Marek Uciński

Wąbrzeźno on 31 March 2021

**INSTYTUT ZAAWANSOWANYCH TECHNOLOGII
WYTWARZANIA
ZAKŁAD CERTYFIKACJI
Jednostka notyfikowana nr 1455**



**CERTYFIKAT BADANIA TYPU WE (EC)
NR 006/011/CE/D/2011**

Nazwa, adres posiadacza certyfikatu: **KREBER Maszyny Budowlane Sp. z o.o.
ul. Fijewo 24
87- 220 Radzyń Chełmiński**

Nazwa wyrobu: **Zacieraczka**

Typ wyrobu (seria, typowość, odmiana, opis wyrobu): **K-436-2 „Bliźniak”
zał. Nr 006/011/CE/D/2011**

Nazwa i adres producenta: **KREBER Maszyny Budowlane Sp. z o.o.
ul. Fijewo 24
87- 220 Radzyń Chełmiński**

Symbol PKWiU: **28.92.30.0**

Wyrób spełnia wymagania zawarte w Rozporządzeniu MG:
- z dnia 21.12.2005 r. (Dz. U. Nr 263 poz. 2202) - Dyrektywa dotycząca emisji hałasu do środowiska przez urządzenia używane na zewnątrz pomieszczeń 2000/14/WE
- z dnia 21.10.2008 r. (Dz. U. Nr 199 poz. 1228) - Dyrektywa Maszynowa 2006/42/WE
oraz Ustawa o kompatybilności elektromagnetycznej
- z dnia 13.04.2007 r. (Dz. U. Nr 82 poz. 556) - Dyrektywa Kompatybilności Elektromagnetycznej 2004/108/WE
oraz norm
zał. Nr 006/011/CE/D/2011

Zgodnie z oceną zgodności przeprowadzona przez ZC IZTW **ZC - SOZ - 001/2011 z dnia 18.01.2011**

Zgodnie ze sprawozdaniem z badań przeprowadzonych przez Laboratorium IZTW **SB - 01 - 001/2011 z dnia 11.01.2011**

Termin ważności: **od 19 stycznia 2011 do 18 stycznia 2016**

Umowa o stosowanie certyfikatu nr: **ZC/003/2011 z dnia 19.01.2011**

Program certyfikacji: **PRC - 01 - 3**

KIEROWNIK ZAKŁADU
CERTYFIKACJI

Adam Cup

DYREKTOR INSTYTUTU

dr Maria Zybura - Skrabalak



Kraków, 19 stycznia 2011

Producent, jego upoważniony przedstawiciel lub importer jest zobowiązany informować Zakład Certyfikacji o każdych zmianach, modyfikacjach, które zostały wprowadzone lub które planuje wprowadzić do typu maszyny, której egzemplarz przebadano – Rozporządzenie MG z dnia 21.10.2008 (Dz. U. Nr 199 poz. 1228. (zał. nr 6.).
Dotyczy wyłącznie egzemplarzy wyrobu posiadających identyczne właściwości (parametry) jak przedstawiony do badań wzór (wzory) i odpowiadających wymaganiom określonym powyżej.

Instytut Zaawansowanych Technologii Wytwarzania
Zakład Certyfikacji ul. Wrocławska 37a. 30-011 Kraków

To users

Handing the K-436-2 type trowel over for operation, we want to familiarize you with its proper operation, construction, maintenance and scope of application for finishing concrete surfaces. Before commencing operation, the technical supervision, department manager and operator should read this manual.

Failure to follow these instructions may void your warranty.

We will be grateful for any suggestions regarding the operation of our products.

TABLE OF CONTENTS

1. Intended use and scope of application	- p.	5
2. Safety instructions	- p.	5
3. Technical characteristics of the trowel	- p.	6
4. General description of the trowel	- p.	6
5. Technical characteristics of the engine	- p.	7
6. General description of the engine	- p.	7
7. Activities before starting the machine	- p.	8
8. Start-up of the machine	- p.	8
9. Control of the machine	- p.	8
10. Working position of the blades	- p.	9
11. Mounting the trowel plate	- p.	9
12. Replacing the blades	- p.	9
13. Maintenance of the crosspiece	- p.	9
14. User manual of HONDA engine	- p.	10
15. Checking the oil level in the engine	- p.	29
16. Recommended engine oil	- p.	29
17. Reducer	- p.	29
18. Activities after completion of work	- p.	29
19. Machine storage	- p.	30
20. Transport	- p.	30
21. Technical inspection table	- p.	30
22. Warranty card	- p.	31

1. Intended use and scope of application

K-436-2 type trowel is designed for troweling and smoothing resin, concrete and hardened surface floors. Equipped with a comfortable seat for the operator, it prevents footprints on floors. Two parallel gears equipped with crosspieces and blades increase the machine's efficiency to approx. 20m²/min. Quick and uncomplicated replacement of blades and mashing plates significantly facilitates service and increases work efficiency.

2. Safety instructions

- An employee who has read the operating instructions may be allowed to work with the trowel.

- Check the technical condition of the trowel before each start-up!

- It is forbidden to work with a machine that has damaged or disassembled covers and protection elements.

- The operator should use ear protectors when working with the machine.

- Provide adequate ventilation of the rooms during work. The exhaust gas contains toxic carbon monoxide. It is a colourless and odourless gas that can cause loss of consciousness or death!!

- It is forbidden to use the machine in closed and potentially explosive rooms!!

- Stop the engine before each refuelling. In case of a fuel spill, remove it thoroughly and do not start the engine before the residual fuel vapours evaporate.

- There is no risk of mechanical vibrations during the operation of the trowel.

- Do not use open fire during work and refuelling.

- Before starting troweling, check if the surface on which the machine is to work is free from so-called "Foreign bodies" such as nuts, bolts, metal parts, protruding reinforcement or expansion joints. They can cause serious damage to the machine and endanger persons in the vicinity of the machine as well as the operator.

- The machine may only be transported with the engine switched off and the plate removed.

- All maintenance work should only be carried out with the engine switched off.

- Repairs and overhauls may only be carried out by an authorized service centre or the manufacturer.

The machine may not be used for work that is not in accordance with its intended use!

DISREGARD OF THE ABOVE RECOMMENDATIONS MAY LEAD TO SERIOUS DAMAGE TO HEALTH AND LOSS OF LIFE.

3. Technical characteristics of the trowel

Type	- K – 436-2
Drive	- petrol engine
Weight	- 325 kg
Efficiency	- ~ 20 m ² /min
Working dimension	- 2 x Ø 900 mm
Transport dimensions	- 1980 x 1300 x 1000 mm

The measured noise at the operator's workplace:	- 87,0 ± 1,0dB (A)
The measured sound power of the device:	- 102,0 ± 0,6dB (A)
Declared sound power level of the device:	- 103 dB (A)
The value of the acceleration of vibrations affecting the operator:	- 1,96 ± 0,13 (m/s ²)
Vibration acceleration value affecting the operator (seat):	- 0,7 ± 0,05 (m/s ²)

4. General description of the trowel

- | | |
|-------------------------------|----------------------|
| 1. Operator's seat | 7. Side covers |
| 2. Internal combustion engine | 8. Control sticks |
| 3. Blades adjustment knobs | 9. Battery |
| 4. Fuel tank | 10. Front cover |
| 5. Gas lever | 11. Blades |
| 6. Blade mounting shaft | 12. Transport handle |

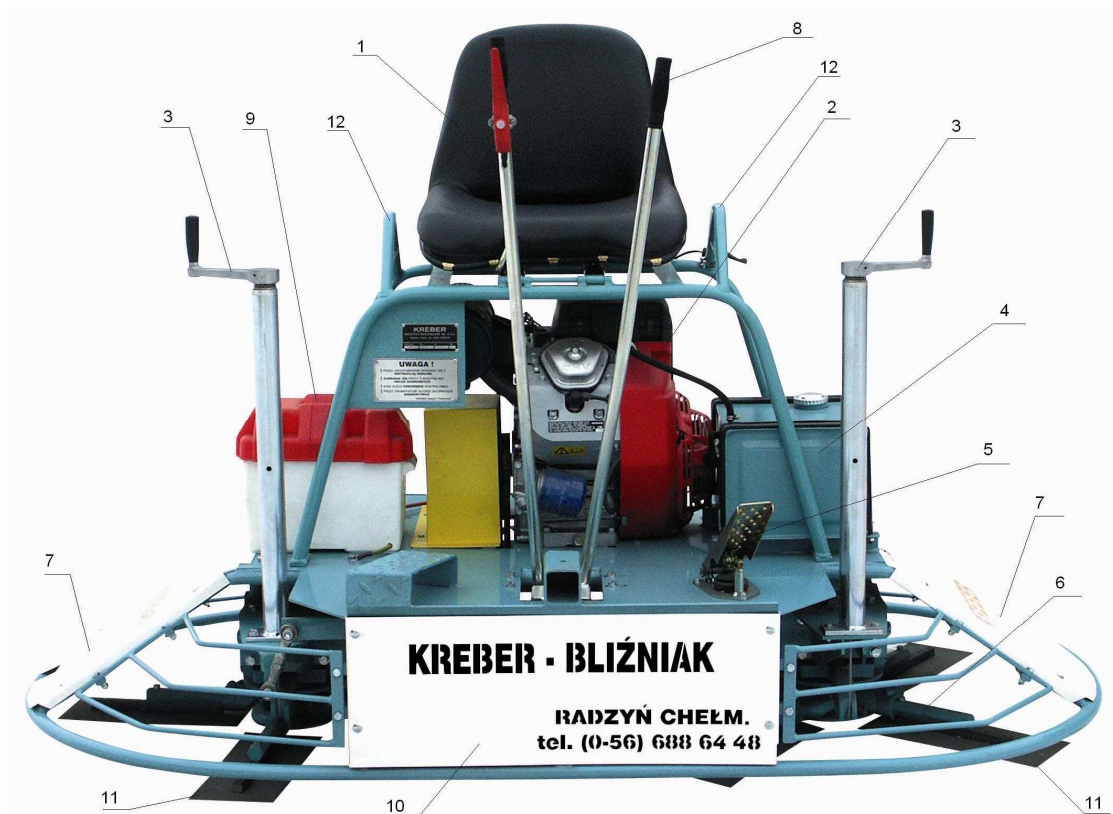


Fig. 1

5. Technical characteristics of the engine

Type	- GX 690 - Honda
Ignition	- Spark
Start-up	- Electric
Fuel	- Unleaded gasoline

6. General engine description

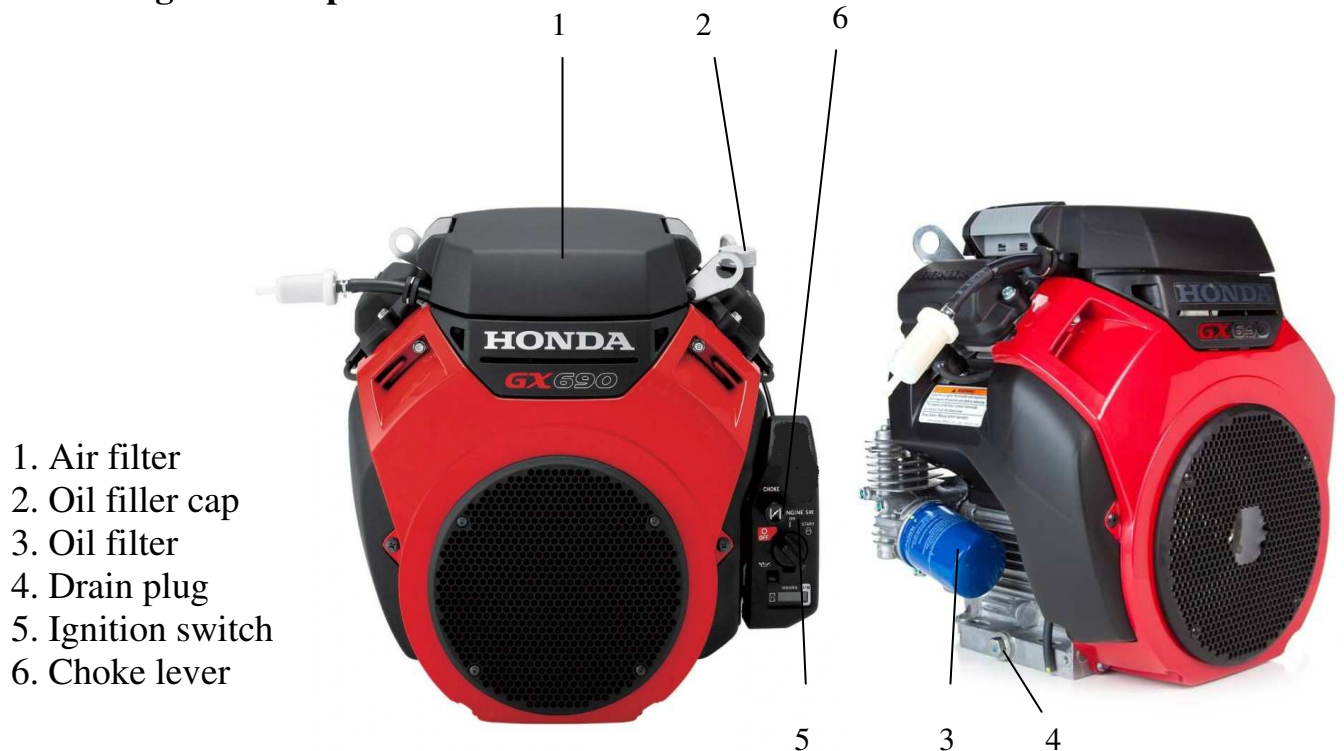


Fig. 2

Detailed information on operation and information about the engine is included in the attached engine manual issued by the manufacturer.

Detailed information on handling and information about the battery is included in the enclosed battery manufacturer's manual.

7. Actions before machine start-up

- check the technical condition of the trowel,
- check engine oil level,
- check oil level in gears,
- check battery status,
- refuel (unleaded petrol),

- make sure that covers and safety devices are not damaged or removed. If they are missing or damaged, do not start the machine,
- check the degree of wear of the blades and discs, in case of high wear replace with new ones,
- check all screw connections,
- make sure the surface on which the machine is to work is free of "foreign objects" (see safety instructions).

8. Start-up of the machine

The operator should take the seat. If the engine is cold, pull out the choke lever and then start the engine by pressing the throttle lever. Do not keep the starter switched on for longer than 10s. The machine should be started on idle gear "i.e. the engine should not exceed 1500rpm." After increasing the engine speed to a minimum of 2000rpm, the centrifugal clutch on the motor shaft transmits the drive through a V-belt to the gearbox that simultaneously actuates the blades. The blade rotation speed is adjusted by increasing or decreasing the pressure on the gas lever. The engine should work on the so-called **full throttle**. Failure to do so may result in damage to the centrifugal clutch.

9. Control of the machine

The operator should avoid making sudden movements with the control sticks because it may lead to unevenness on the floor.

Figure 4 schematically illustrates trowel operation.

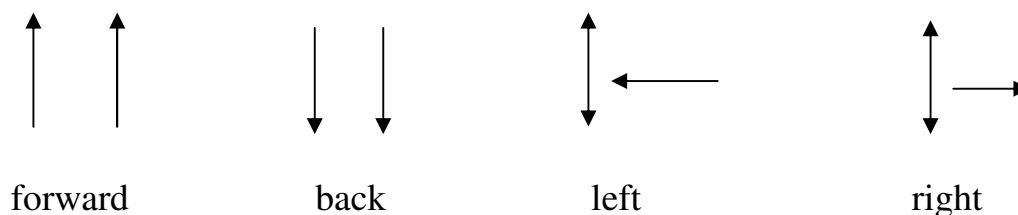


Fig. 3

10. Working position of the blades

This operation is performed by means of the adjustment knob (item 3 fig. 1). The angle of the blades depends on the grade and degree of hardness of the floor.

11. Mounting the trowel plate

The machine should be placed on the plates (plate) in such a way that the blades are under the clamping profile (Fig. 4) Then set the angle of the blades according to the height of the clamping profile with the adjustment knob (Fig. 1, item 3).

Before transporting the machine, the trowels must be removed!

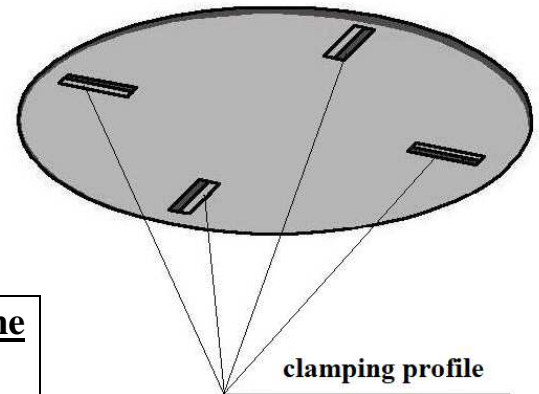


Fig. 4

12. Replacing the blades

Should the blades wear, replace them with new ones. Each of the blades is fixed with two M8 screws. When installing new blades pay attention to the technical condition of the bolts (thread) and spring washers. If damaged, they should be replaced. The heavy load that occurs during operation of the machine can cause the blades to tear off, endangering people nearby.

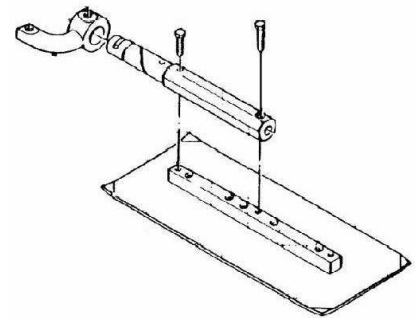


Fig. 5

13. Maintenance of the crosspiece

Before starting the machine daily, lubricate the cross with a grease gun (item 1 fig. 6).

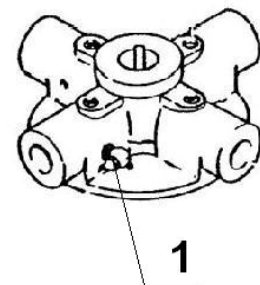


Fig. 6

14. User manual of HONDA engine

INTRODUCTION

Thank you for purchasing a Honda engine. We want to help you to get the best results from your new engine and to operate it safely. This manual contains information on how to do that; please read it carefully before operating the engine. If a problem should arise, or if you have any questions about your engine, consult an authorized Honda servicing dealer.

All information in this publication is based on the latest product information available at the time of printing. Honda Motor Co., Ltd. reserves the right to make changes at any time without notice and without incurring any obligation. No part of this publication may be reproduced without written permission.

This manual should be considered a permanent part of the engine and should remain with the engine if resold.


Review the instructions provided with the equipment powered by this engine for any additional information regarding engine startup, shutdown, operation, adjustments or any special maintenance instructions.

United States, Puerto Rico, and U.S. Virgin Islands:




We suggest you read the warranty policy to fully understand its coverage and your responsibilities of ownership. The warranty policy is a separate document that should have been given to you by your dealer.

SAFETY MESSAGES

Your safety and the safety of others are very important. We have provided important safety messages in this manual and on the engine. Please read these messages carefully.

A safety message alerts you to potential hazards that could hurt you or others. Each safety message is preceded by a safety alert symbol  and one of three words, DANGER, WARNING, or CAUTION.

These signal words mean:


-  **DANGER** You WILL be KILLED or SERIOUSLY HURT if you don't follow instructions.
-  **WARNING** You CAN be KILLED or SERIOUSLY HURT if you don't follow instructions.
-  **CAUTION** You CAN be HURT if you don't follow instructions.

Each message tells you what the hazard is, what can happen, and what you can do to avoid or reduce injury.

DAMAGE PREVENTION MESSAGES

You will also see other important messages that are preceded by the word NOTICE.

This word means:

-  **NOTICE** Your engine or other property can be damaged if you don't follow instructions.

The purpose of these messages is to help prevent damage to your engine, other property, or the environment.

©2014 Honda Motor Co., Ltd. -All Rights Reserved

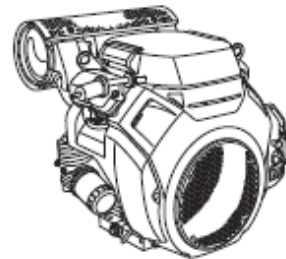
GX630R · GX660R · GX690R

37ZCN601
00X37-ZCN-6010

HONDA

OWNER'S MANUAL MANUEL DE L'UTILISATEUR MANUAL DEL PROPIETARIO

GX630 • GX660 • GX690



WARNING:

The engine exhaust from this product contains chemicals known to the State of California to cause cancer, birth defects or other reproductive harm.

California Proposition 65

This product contains or emits chemicals known to the state of California to cause cancer, birth defects or other reproductive harm

CONTENTS

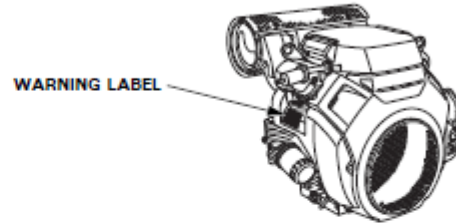
INTRODUCTION.....	1	SPARK PLUG.....	10
SAFETY MESSAGES.....	1	SPARK ARRESTER.....	11
SAFETY INFORMATION.....	2	HELPFUL TIPS &	
SAFETY LABEL LOCATION.....	2	SUGGESTIONS.....	11
COMPONENT & CONTROL		STORING YOUR ENGINE.....	11
LOCATION.....	3	TRANSPORTING.....	12
FEATURES.....	3	TAKING CARE OF	
BEFORE OPERATION		UNEXPECTED PROBLEMS.....	13
CHECKS.....	4	FUSE REPLACEMENT.....	13
OPERATION.....	4	TECHNICAL INFORMATION... ..	14
SAFE OPERATING		Serial Number Location.....	14
PRECAUTIONS.....	4	Battery Connections for	
STARTING THE ENGINE.....	4	Electric Starter.....	14
STOPPING THE ENGINE.....	5	Remote Control Linkage.....	15
SETTING ENGINE SPEED.....	6	Carburetor Modifications for	
SERVICING YOUR ENGINE.....	6	High Altitude Operation.....	15
THE IMPORTANCE OF		Emission Control System	
MAINTENANCE.....	6	Information.....	16
MAINTENANCE SAFETY.....	6	Air Index.....	17
SAFETY PRECAUTIONS.....	7	Specifications.....	17
MAINTENANCE		Tuneup Specifications.....	17
SCHEDULE.....	7	Quick Reference	
REFUELING.....	7	Information.....	17
ENGINE OIL.....	8	Wiring Diagrams.....	18
Recommended Oil.....	8	CONSUMER INFORMATION... ..	20
Oil Level Check.....	8	WARRANTY AND	
Oil Change.....	8	DISTRIBUTOR/DEALER	
OIL FILTER.....	9	LOCATOR INFORMATION... ..	20
AIR CLEANER.....	9	CUSTOMER SERVICE	
Inspection.....	9	INFORMATION.....	20
Cleaning.....	9		


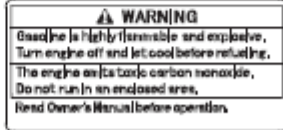

SAFETY INFORMATION

- Understand the operation of all controls and learn how to stop the engine quickly in case of emergency. Make sure the operator receives adequate instruction before operating the equipment.
- Do not allow children to operate the engine. Keep children and pets away from the area of operation.
- Your engine's exhaust contains poisonous carbon monoxide. Do not run the engine without adequate ventilation, and never run the engine indoors.
- The engine and exhaust become very hot during operation. Keep the engine at least 1 meter (3 feet) away from buildings and other equipment during operation. Keep flammable materials away, and do not place anything on the engine while it is running.




SAFETY LABEL LOCATION





This label warns you of potential hazards that can cause serious injury. Read it carefully. If the label comes off or becomes hard to read, contact your Honda servicing dealer for replacement.



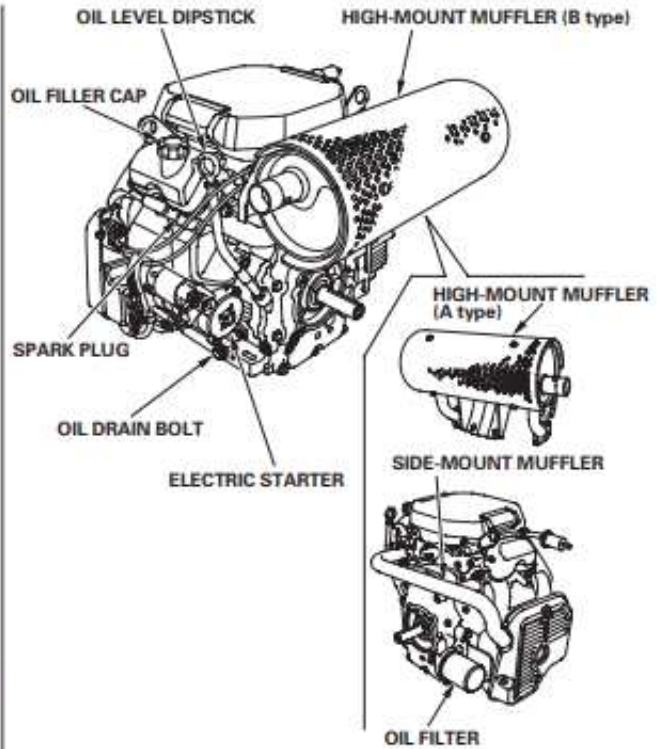
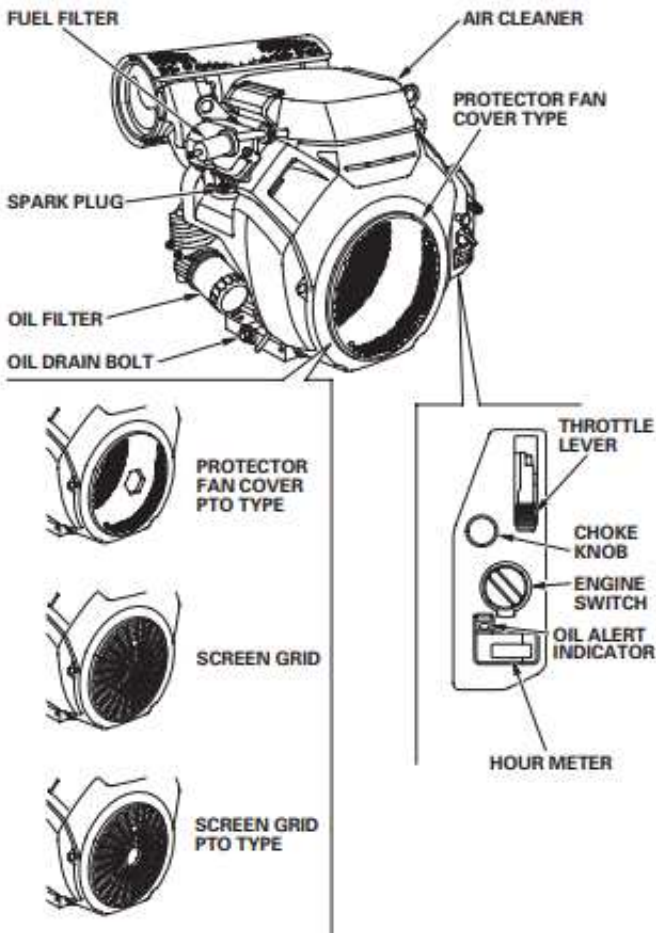
WARNING LABEL	For EU	Except EU
	attached to product	supplied with product
	supplied with product	attached to product
	supplied with product	supplied with product

Honda factory equipped muffler.

MUFFLER CAUTION LABEL	
	not included
	supplied with product
	supplied with product

-  Gasoline is highly flammable and explosive. Stop the engine and let cool before refueling.
-  The engine emits toxic poisonous carbon monoxide gas. Do not run in an enclosed area.
-  Read Owner's Manual before operation.
-  Hot muffler can burn you. Stay away if engine has been running.

COMPONENT & CONTROL LOCATION



FEATURES

Oil Alert® System (applicable types)

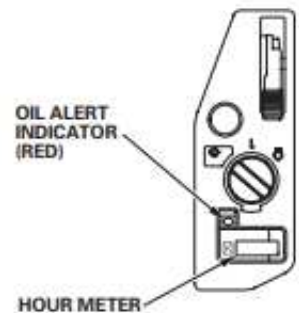
"Oil Alert is a registered trademark in the United States"

The Oil Alert system is designed to prevent engine damage caused by an insufficient amount of oil in the crankcase. Before the oil level in the crankcase can fall below a safe limit, the Oil Alert indicator (red) comes on and the Oil Alert system will automatically stop the engine (the engine switch will remain in the ON position).

If the engine stops and will not restart, check the engine oil level (see page 8) before troubleshooting in other areas.

Hour Meter

After starting the engine, the elapsed time of the engine in use will be count. It will not count the elapsed time of the engine operation by just turning the engine switch ON.



Fuel-cut Solenoid

The engine is equipped with a fuel-cut solenoid that allows fuel to flow to the carburetor main jet when the engine switch is in the ON or START position and stops the flow of fuel to the main jet when the engine switch is in the OFF position.

The engine must be connected to the battery to energize the fuel-cut solenoid, allowing the engine to run. If the battery is disconnected, fuel flow to the carburetor will stop.

BEFORE OPERATION CHECKS

IS YOUR ENGINE READY TO GO?

For your safety, and to maximize the service life of your equipment, it is very important to take a few moments before you operate the engine to check its condition. Be sure to take care of any problem you find, or have your servicing dealer correct it, before you operate the engine.

⚠ WARNING

Improperly maintaining this engine, or failure to correct a problem before operation, can cause a malfunction in which you can be seriously hurt or killed.

Always perform a pre-operation inspection before each operation, and correct any problem.

Before beginning your pre-operation checks, be sure the engine is level and the engine switch is in the OFF position.

Always check the following items before you start the engine:

Check the General Condition of the Engine

1. Look around and underneath the engine for signs of oil or gasoline leaks.
2. Remove any excessive dirt or debris, especially around the muffler.
3. Look for signs of damage.
4. Check that all shields and covers are in place, and all nuts, bolts, and screws are tightened.

Check the Engine

1. Check the fuel level. Starting with a full tank will help to eliminate or reduce operating interruptions for refueling.
2. Check the engine oil level (see page 8). Running the engine with a low oil level can cause engine damage.

The Oil Alert system (applicable types) will automatically stop the engine before the oil level falls below safe limits. However, to avoid the inconvenience of an unexpected shutdown, always check the engine oil level before startup.
3. Check the air filter element (see page 9). A dirty air filter element will restrict air flow to the carburetor, reducing engine performance.
4. Check the equipment powered by this engine.

Review the instructions provided with the equipment powered by this engine for any precautions and procedures that should be followed before engine startup.

OPERATION

SAFE OPERATING PRECAUTIONS

Before operating the engine for the first time, please review the *SAFETY INFORMATION* section on page 2 and the *BEFORE OPERATION CHECKS* on page 4 .

For your safety, do not operate the engine in an enclosed area such as a garage. Your engine's exhaust contains poisonous carbon monoxide gas that can collect rapidly in an enclosed area and cause illness or death.

⚠ WARNING

Exhaust contains poisonous carbon monoxide gas that can build up to dangerous levels in closed areas. Breathing carbon monoxide can cause unconsciousness or death.

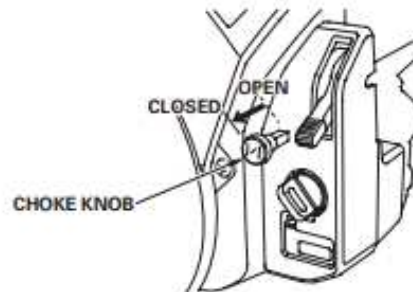
Never run the engine in a closed, or even partly closed area where people may be present.

Review the instructions provided with the equipment powered by this engine for any safety precautions that should be observed with engine startup, shutdown or operation.

Do not operate the engine on slopes greater than 20°.

STARTING THE ENGINE

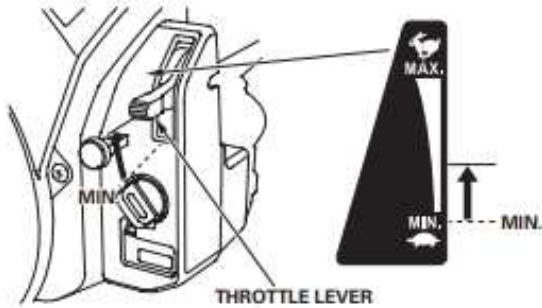
1. If the fuel tank is equipped with a valve, be sure the fuel valve is in the OPEN or ON position before attempting to start the engine.
2. To start a cold engine, pull the choke knob out to the CLOSED position.



To restart a warm engine, leave the choke knob in the OPEN position.

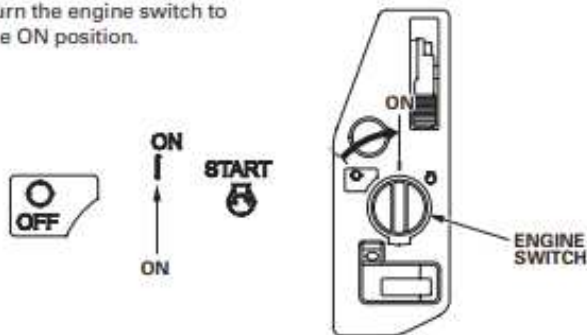
Some engine applications use a remote-mounted choke control rather than the engine-mounted choke knob shown here. Refer to the instructions provided by the equipment manufacturer.

3. Move the throttle lever away from the MIN. position, about 1/3 of the way toward the MAX. position.



Some engine applications use a remote-mounted throttle control rather than the engine-mounted throttle lever shown here. Refer to the instructions provided by the equipment manufacturer.

4. Turn the engine switch to the ON position.



5. Operate the starter.

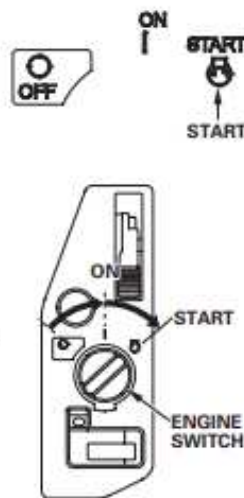
Turn the engine switch to the START position, and hold it there until the engine starts.

If the engine fails to start within 5 seconds, release the engine switch, and wait at least 10 seconds before operating the starter again.

NOTICE

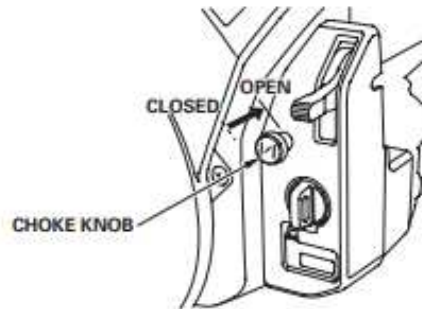
Using the electric starter for more than 5 seconds at a time will overheat the starter motor and can damage it.

When the engine starts, release the engine switch, allowing it to return to the ON position.



6. Warm up the engine for 2 or 3 minutes.

7. If the choke knob was pulled to the CLOSED position to start the engine, gradually push it to the OPEN position as the engine warms up.

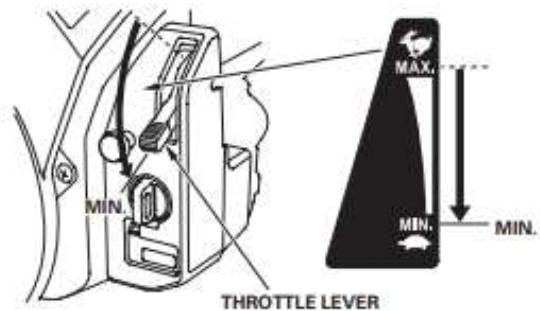


STOPPING THE ENGINE

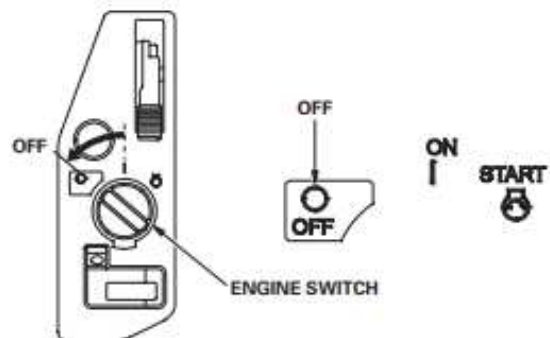
To stop the engine in an emergency, simply turn the engine switch to the OFF position. Under normal conditions, use the following procedure. Refer to the instructions provided by the equipment manufacturer.

1. Move the throttle lever to the MIN. position.

Some engine applications use a remote-mounted throttle control rather than the engine-mounted throttle lever shown here.



2. Turn the engine switch to the OFF position.



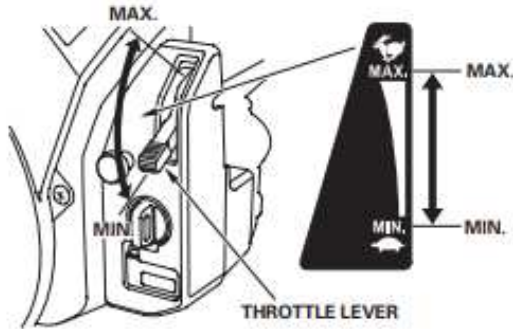
3. If the fuel tank is equipped with a valve, turn the fuel valve to the CLOSED or OFF position.

SETTING ENGINE SPEED

Position the throttle lever for the desired engine speed.

Some engine applications use a remote-mounted throttle control rather than the engine-mounted throttle lever shown here. Refer to the instructions provided by the equipment manufacturer.

For engine speed recommendations, refer to the instructions provided with the equipment powered by this engine.



Do not disconnect the battery from the engine while the engine is running. Disconnecting the battery causes the fuel-cut solenoid to shut off the flow of fuel to the carburetor main jet, and the engine will stop.

SERVICING YOUR ENGINE

THE IMPORTANCE OF MAINTENANCE

Good maintenance is essential for safe, economical and trouble-free operation. It will also help reduce pollution.

⚠ WARNING

Improper maintenance, or failure to correct a problem before operation, can cause a malfunction in which you can be seriously hurt or killed.

Always follow the inspection and maintenance recommendations and schedules in this owner's manual.

To help you properly care for your engine, the following pages include a maintenance schedule, routine inspection procedures, and simple maintenance procedures using basic hand tools. Other service tasks that are more difficult, or require special tools, are best handled by professionals and are normally performed by a Honda technician or other qualified mechanic.

The maintenance schedule applies to normal operating conditions. If you operate your engine under severe conditions, such as sustained high-load or high-temperature operation, or use in unusually wet or dusty conditions, consult your Honda servicing dealer for recommendations applicable to your individual needs and use.

Maintenance, replacement, or repair of the emission control devices and systems may be performed by any engine repair establishment or individual, using parts that are "certified" to EPA standards.

MAINTENANCE SAFETY

Some of the most important safety precautions follow. However, we cannot warn you of every conceivable hazard that can arise in performing maintenance. Only you can decide whether or not you should perform a given task.

⚠ WARNING

Failure to properly follow maintenance instructions and precautions can cause you to be seriously hurt or killed.

Always follow the procedures and precautions in this owner's manual.

SAFETY PRECAUTIONS

- Make sure the engine is off before you begin any maintenance or repairs. To prevent accidental startup, disconnect the spark plug cap. This will eliminate several potential hazards:
 - **Carbon monoxide poisoning from engine exhaust.**
Operate outside, away from open windows or doors.
 - **Burns from hot parts.**
Let the engine and exhaust system cool before touching.
 - **Injury from moving parts.**
Do not run the engine unless instructed to do so.
- Read the instructions before you begin, and make sure you have the tools and skills required.
- To reduce the possibility of fire or explosion, be careful when working around gasoline. Use only a non-flammable solvent, not gasoline, to clean parts. Keep cigarettes, sparks and flames away from all fuel related parts.

Remember that an authorized Honda servicing dealer knows your engine best and is fully equipped to maintain and repair it.

To ensure the best quality and reliability, use only new Honda Genuine parts or their equivalents for repair and replacement.

MAINTENANCE SCHEDULE

REGULAR SERVICE PERIOD (3) Perform at every indicated month or operating hour interval, whichever comes first.		Each Use	First Month or 20 Hrs	Every 6 Months or 100 Hrs	Every Year or 300 Hrs	Every 2 Years or 500 Hrs	Refer to Page
ITEM							
Engine oil	Check level	○					8
	Change		○	○			8
Engine oil filter	Replace		Every 200 Hrs.				9
Air cleaner	Check	○					9
	Clean			○ (1)			9
	Replace					○ *	
Spark plug	Check-adjust			○			10
	Replace				○		
Spark arrester (applicable types)	Clean			○ (4)			11
Idle speed	Check-adjust				○ (2)		**
Valve clearance	Check-adjust				○ (2)		**
Combustion chamber	Clean		After every 1000 Hrs. (2)				**
Fuel filter	Replace				○ (2)		**
Fuel tube	Check		Every 2 years (Replace if necessary) (2)				**

- * Replace the paper filter element only.
- ** Refer to the Shop Manual.

- (1) Service more frequently when used in dusty areas.
- (2) These items should be serviced by your Honda servicing dealer, unless you have the proper tools and are mechanically proficient. Refer to the Honda shop manual for service procedures.
- (3) For commercial use, log hours of operation to determine proper maintenance intervals.
- (4) In Europe and other countries where the machinery directive 2006/42/EC is enforced, this cleaning should be done by your servicing dealer.

Failure to follow this maintenance schedule could result in non-warrantable failures.

REFUELING

Recommended Fuel

Unleaded gasoline	
U.S.	Pump octane rating 86 or higher
Except U.S.	Research octane rating 91 or higher
	Pump octane rating 86 or higher

This engine is certified to operate on unleaded gasoline with a pump octane rating of 86 or higher (a research octane rating of 91 or higher).

Refuel in a well ventilated area with the engine stopped. If the engine has been running, allow it to cool first. Never refuel the engine inside a building where gasoline fumes may reach flames or sparks.

You may use unleaded gasoline containing no more than 10% ethanol (E10) or 5% methanol by volume. In addition, methanol must contain cosolvents and corrosion inhibitors. Use of fuels with content of ethanol or methanol greater than shown above may cause starting and/or performance problems. It may also damage metal, rubber, and plastic parts of the fuel system. Engine damage or performance problems that result from using a fuel with percentages of ethanol or methanol greater than shown above are not covered under the Warranty.

If your equipment will be used on an infrequent or intermittent basis, please refer to the fuel section of the **STORING YOUR ENGINE** chapter (see page 11) for additional information regarding fuel deterioration.

▲ WARNING

Gasoline is highly flammable and explosive, and you can be burned or seriously injured when refueling.

- Stop the engine and keep heat, sparks, and flame away.
- Refuel only outdoors.
- Wipe up spills immediately.

NOTICE

Fuel can damage paint and some types of plastic. Be careful not to spill fuel when filling your fuel tank. Damage caused by spilled fuel is not covered under the Distributor's Limited Warranty.

Never use stale or contaminated gasoline or an oil/gasoline mixture. Avoid getting dirt or water in the fuel tank.

With the engine stopped and on a level surface, remove the fuel filler cap and check the fuel level. Refill the tank if the fuel level is low.

Refer to the instructions provided with the equipment powered by this engine for refuelling.

Refuel in a well-ventilated area before starting the engine. If the engine has been running, allow it to cool. Refuel carefully to avoid spilling fuel. It may be necessary to lower the fuel level depending on operating conditions. After refueling, tighten the fuel tank cap securely.

Keep gasoline away from appliance pilot lights, barbecues, electric appliances, power tools, etc.

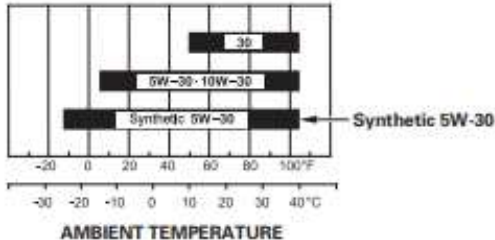
Spilled fuel is not only a fire hazard, it causes environmental damage. Wipe up spills immediately.

ENGINE OIL

Oil is a major factor affecting performance and service life. Use 4-stroke automotive detergent oil.

Recommended Oil

Use 4-stroke motor oil that meets or exceeds the requirements for API service category SJ or later (or equivalent). Always check the API service label on the oil container to be sure it includes the letters SJ or later (or equivalent).

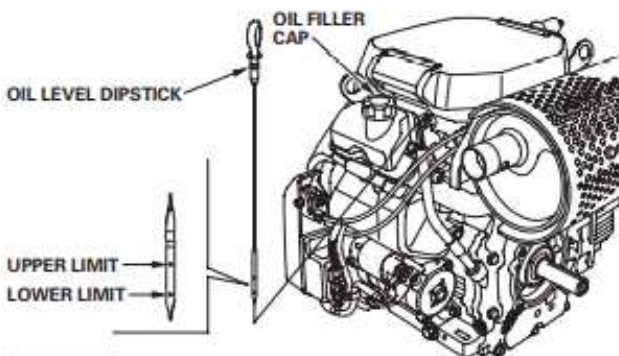


SAE 10W-30 or 5W-30 is recommended for general use. Use a full synthetic 5W-30 for starting/operating temperatures between 5°F (-15°C) and -13°F (-25°C). Other viscosities shown in the chart may be used when the average temperature in your area is within the indicated range.

Oil Level Check

Check the engine oil level with the engine stopped and in a level position.

1. Start the engine and let it idle for 1 or 2 minutes. Stop the engine and wait for 2 or 3 minutes.
2. Remove the oil level dipstick and wipe it clean.
3. Fully insert the oil level dipstick, then remove it to check the oil level.
4. If the oil level is low, remove the oil filler cap, and fill with the recommended oil to the upper limit mark on the oil level dipstick.
5. Reinstall the oil level dipstick and oil filler cap.



NOTICE

Running the engine with a low oil level can cause engine damage. This type of damage is not covered by the Distributor's Limited Warranty.

The Oil Alert system (applicable types) will automatically stop the engine before the oil level falls below the safe limit. However, to avoid the inconvenience of an unexpected shutdown, always check the engine oil level before startup.

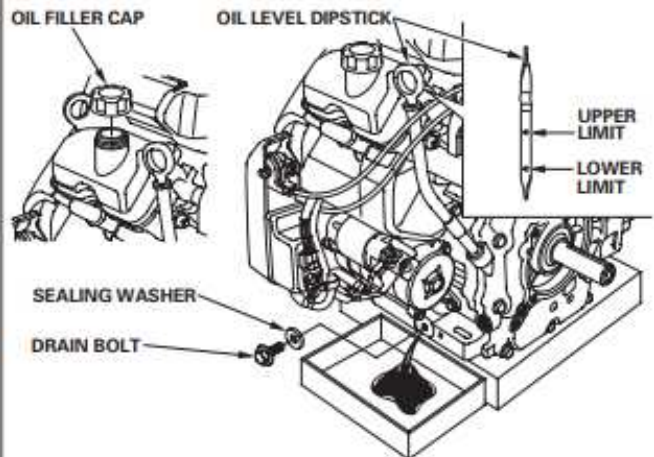
8

Oil Change

Drain the used oil when the engine is warm. Warm oil drains quickly and completely.

1. Place a suitable container below the engine to catch the used oil, then remove the oil filler cap, drain bolt and sealing washer.
2. Allow the used oil to drain completely, then reinstall the drain bolt and new sealing washer, and tighten the drain bolt securely.

Please dispose of used motor oil in a manner that is compatible with the environment. We suggest you take used oil in a sealed container to your local recycling center or service station for reclamation. Do not throw it in the trash, pour it on the ground, or pour it down a drain.



3. With the engine in a level position, fill with the recommended oil to the upper limit mark on the oil level dipstick.

NOTICE

Running the engine with a low oil level can cause engine damage. This type of damage is not covered by the Distributor's Limited Warranty.

The Oil Alert system (applicable types) will automatically stop the engine before the oil level falls below the safe limit. However, to avoid the inconvenience of an unexpected shutdown, fill to the upper limit, and check the oil level regularly.

4. Reinstall the oil filler cap and oil level dipstick securely.

ENGLISH

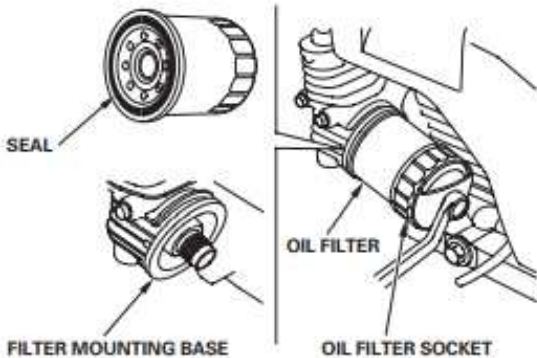
OIL FILTER

Change

1. Drain the engine oil, and retighten the drain bolt securely.
2. Remove the oil filter, and drain the oil into a suitable container. Dispose the used oil and filter in a manner compatible with the environment.

NOTICE

Use an oil filter socket, rather than a strap wrench, to avoid striking and damaging the oil pressure switch.



3. Clean the filter mounting base, and coat the seal of the new oil filter with clean engine oil.

NOTICE

Use only a Honda Genuine oil filter or a filter of equivalent quality specified for your model. Using the wrong filter, or a non-Honda filter which is not of equivalent quality, may cause engine damage.

4. Screw on the new oil filter by hand until the seal contacts the filter mounting base, then use an oil filter socket to tighten the filter an additional 3/4 turn.

Oil filter tightening torque: 12 N·m (1.2 kgf·m, 9 lbf·ft)

5. Refill the crankcase with the specified amount of the recommended oil (see page 8). Reinstall the oil filler cap and oil level dipstick.
6. Start the engine, and check for leaks.
7. Stop the engine, and check the oil level as described on page 8. If necessary, add oil to bring the oil level to the upper limit mark on the oil level dipstick.

AIR CLEANER

A dirty air cleaner will restrict air flow to the carburetor, reducing engine performance. If you operate the engine in very dusty areas, clean the air filter more often than specified in the MAINTENANCE SCHEDULE (see page 7).

NOTICE

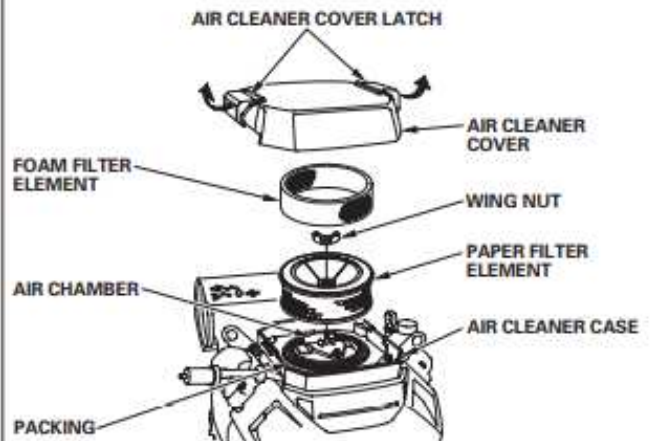
Operating the engine without an air filter, or with a damaged air filter, will allow dirt to enter the engine, causing rapid engine wear. This type of damage is not covered by the Distributor's Limited Warranty.

Inspection

Remove the air cleaner cover and inspect the filter elements. Clean or replace dirty filter elements. Always replace damaged filter elements.

Cleaning

1. Pull the air cleaner cover latch to the unlocked position, and remove the cover.
2. Remove the wing nut from the paper filter element.
3. Remove the paper filter element and foam filter element from the air cleaner case.
4. Remove the foam filter element from the paper filter element.



5. Inspect both filter elements, and replace them if they are damaged. Always replace the paper filter element at the scheduled interval (see page 7).

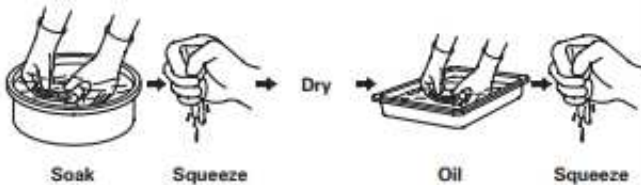
6. Clean the filter elements if they are to be reused.

Paper filter element: Tap the filter element several times on a hard surface to remove dirt, or blow compressed air [not exceeding 207 kPa (2.1 kgf/cm², 30 psi)] through the filter element from the air cleaner case side.



Never try to brush off dirt; brushing will force dirt into the fibers. Replace the paper filter element if it is excessively dirty.

Foam filter element: Clean in warm soapy water, rinse, and allow to dry thoroughly. Or clean in non-flammable solvent and allow to dry. Dip the filter element in clean engine oil, then squeeze out all excess oil. The engine will smoke when started if too much oil is left in the foam.



7. Wipe dirt from the inside of the air cleaner body and cover, using a moist rag. Be careful to prevent dirt from entering the air chamber that leads to the carburetor.
8. Place the foam filter element over the paper filter element, and reinstall the assembled filter element. Be sure the packing is in place beneath the filter element. Tighten the wing nut securely.
9. Lock the air cleaner cover latch securely.

SPARK PLUG

Recommended Spark Plug: ZFR5F (NGK)

The recommended spark plug has the correct heat range for normal engine operating temperatures.

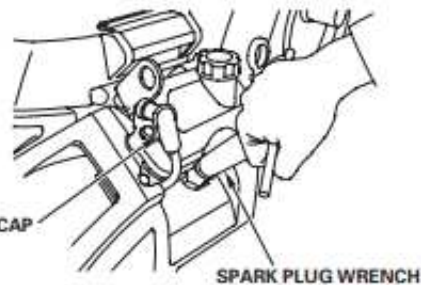
NOTICE

Incorrect spark plugs can cause engine damage.

If the engine has been running, let it cool before servicing the spark plugs.

For good performance, the spark plugs must be properly gapped and free of deposits.

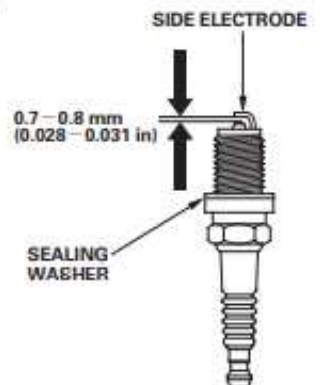
1. Disconnect the spark plug caps, and remove any dirt from around the spark plug area.
2. Remove the spark plugs with a 5/8-inch spark plug wrench.



SPARK PLUG CAP

SPARK PLUG WRENCH

3. Inspect the spark plugs. Replace them if damaged, badly fouled, if the sealing washer is in poor condition, or if the electrode is worn.
4. Measure the spark plug electrode gaps with a wire-type feeler gauge. Correct the gap, if necessary, by carefully bending the side electrode. The gap should be: 0.7–0.8 mm (0.028–0.031 in)



5. Install the spark plug carefully, by hand, to avoid cross-threading.
6. After the spark plug is seated, tighten with a 5/8-inch spark plug wrench to compress the sealing washer.

When installing a new spark plug, tighten 1/2 turn after the spark plug seats to compress the washer.

When reinstalling the original spark plug, tighten 1/8–1/4 turn after the spark plug seats to compress the washer.

NOTICE

A loose spark plug can overheat and damage the engine. Overtightening the spark plug can damage the threads in the cylinder head.

7. Attach the spark plug caps to the spark plugs.

SPARK ARRESTER (applicable types)

In Europe and other countries where the machinery directive 2006/42/EC is enforced, this cleaning should be done by your servicing dealer.

Your engine is not factory-equipped with a spark arrester. The spark arrester is optional part. In some areas, it is illegal to operate an engine without a spark arrester. Check local laws and regulations. A spark arrester is available from authorized Honda servicing dealers.

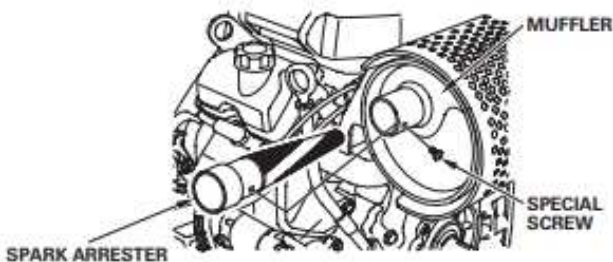
The spark arrester must be serviced every 100 hours to keep it functioning as designed.

If the engine has been running, the muffler will be hot. Allow it to cool before servicing the spark arrester.

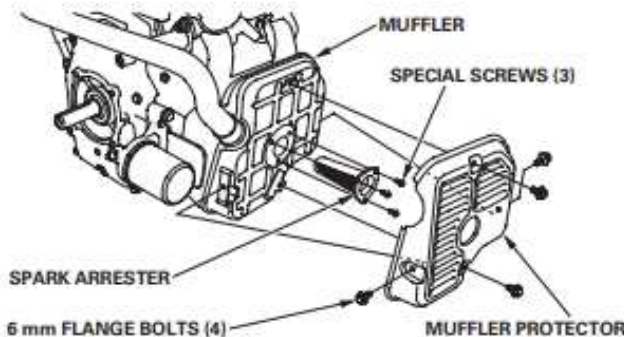
Spark Arrester Cleaning & Inspection

1. Remove the spark arrester:

HIGH-MOUNT MUFFLER TYPE: Remove the special screw from the muffler and remove the spark arrester.



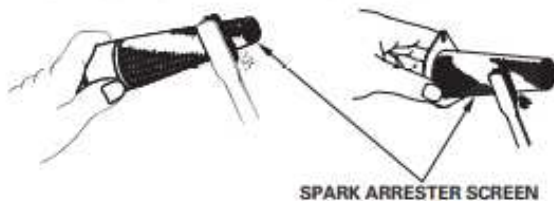
SIDE-MOUNT MUFFLER TYPE: Remove the 6 mm flange bolts from the muffler protector and remove the muffler protector. Remove the special screws from the spark arrester and remove the spark arrester from the muffler.



2. Use a brush to remove carbon deposits from the spark arrester screen. Be careful to avoid damaging the screen.

The spark arrester must be free of breaks and holes. Replace the spark arrester if it is damaged.

HIGH-MOUNT MUFFLER TYPE SIDE-MOUNT MUFFLER TYPE



3. Install the spark arrester and muffler protector in the reverse order of disassembly.

HELPFUL TIPS & SUGGESTIONS

STORING YOUR ENGINE

Storage Preparation

Proper storage preparation is essential for keeping your engine trouble-free and looking good. The following steps will help to keep rust and corrosion from impairing your engine's function and appearance, and will make the engine easier to start when you use it again.

Cleaning

If the engine has been running, allow it to cool for at least half an hour before cleaning. Clean all exterior surfaces, touch up any damaged paint, and coat other areas that may rust with a light film of oil.

NOTICE

Using a garden hose or pressure washing equipment can force water into the air cleaner or muffler opening. Water in the air cleaner will soak the air filter, and water that passes through the air filter or muffler can enter the cylinder, causing damage.

Fuel

NOTICE

Depending on the region where you operate your equipment, fuel formulations may deteriorate and oxidize rapidly. Fuel deterioration and oxidation can occur in as little as 30 days and may cause damage to the carburetor and/or fuel system. Please check with your servicing dealer for local storage recommendations.

Gasoline will oxidize and deteriorate in storage. Deteriorated gasoline will cause hard starting, and it leaves gum deposits that clog the fuel system. If the gasoline in your engine deteriorates during storage, you may need to have the carburetor and other fuel system components serviced or replaced.

The length of time that gasoline can be left in your fuel tank and carburetor without causing functional problems will vary with such factors as gasoline blend, your storage temperatures, and whether the fuel tank is partially or completely filled. The air in a partially filled fuel tank promotes fuel deterioration. Very warm storage temperatures accelerate fuel deterioration. Fuel deterioration problems may occur within a few months, or even less if the gasoline was not fresh when you filled the fuel tank.

Fuel system damage or engine performance problems resulting from neglected storage preparation are not covered under the *Distributor's Limited Warranty*.

You can extend fuel storage life by adding a gasoline stabilizer that is formulated for that purpose, or you can avoid fuel deterioration problems by draining the fuel tank and carburetor.

Adding a Gasoline Stabilizer to Extend Fuel Storage Life

When adding a gasoline stabilizer, fill the fuel tank with fresh gasoline. If only partially filled, air in the tank will promote fuel deterioration during storage. If you keep a container of gasoline for refueling, be sure that it contains only fresh gasoline.

1. Add gasoline stabilizer following the manufacturer's instructions.
2. After adding a gasoline stabilizer, run the engine outdoors for 10 minutes to be sure that treated gasoline has replaced the untreated gasoline in the carburetor.
3. Stop the engine, and if the fuel tank is equipped with a fuel valve, move the fuel valve to the CLOSED or OFF position.

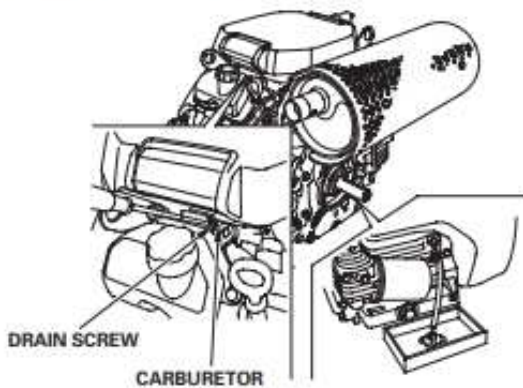
Draining the Fuel Tank and Carburetor

⚠ WARNING

Gasoline is highly flammable and explosive, and you can be burned or seriously injured when handling fuel.

- Stop the engine and keep heat, sparks, and flame away.
- Handle fuel only outdoors.
- Wipe up spills immediately.

1. Disconnect the fuel line to the engine, and drain the fuel tank into an approved gasoline container. If the fuel tank is equipped with a valve, turn the fuel valve to the OPEN or ON position to enable draining. After draining is completed, reconnect the fuel line.
2. Loosen the carburetor drain screw, and drain the carburetor into an approved gasoline container. After draining is completed, tighten the carburetor drain screw.



Engine Oil

1. Change the engine oil (see page 8).
2. Remove the spark plugs (see page 10).
3. Pour 5–10 cm³ (5–10 cc, 1–2 teaspoons) of clean engine oil into each cylinder.
4. Turn the engine for a few seconds by turning the engine switch to the START position to distribute the oil in the cylinders.
5. Reinstall the spark plugs.

Storage Precautions

If your engine will be stored with gasoline in the fuel tank and carburetor, it is important to reduce the hazard of gasoline vapor ignition. Select a well ventilated storage area away from any appliance that operates with a flame, such as a furnace, water heater, or clothes dryer. Also avoid any area with a spark-producing electric motor, or where power tools are operated.

If possible, avoid storage areas with high humidity, because that promotes rust and corrosion.

Keep the engine level in storage. Tilting can cause fuel or oil leakage.

Unless all fuel has been drained from the fuel tank, leave the fuel valve in the CLOSED or OFF position to reduce the possibility of fuel leakage.

With the engine and exhaust system cool, cover the engine to keep out dust. A hot engine and exhaust system can ignite or melt some materials. Do not use sheet plastic as a dust cover. A nonporous cover will trap moisture around the engine, promoting rust and corrosion.

If installed, remove the battery and store it in a cool, dry place. Recharge the battery once a month while the engine is in storage. This will help to extend the service life of the battery.

Removal from Storage

Check your engine as described in the *BEFORE OPERATION CHECKS* section of this manual (see page 4).

If the fuel was drained during storage preparation, fill the tank with fresh gasoline. If you keep a container of gasoline for refueling, be sure it contains only fresh gasoline. Gasoline oxidizes and deteriorates over time, causing hard starting.

If the cylinders were coated with oil during storage preparation, the engine may smoke briefly at startup. This is normal.

TRANSPORTING

If the engine has been running, allow it to cool for at least 15 minutes before loading the engine-powered equipment on the transport vehicle. A hot engine and exhaust system can burn you and can ignite some materials.

Keep the engine level when transporting to reduce the possibility of fuel leakage. If the fuel tank is equipped with a fuel valve, move the fuel valve lever to the CLOSED or OFF position.

TAKING CARE OF UNEXPECTED PROBLEMS

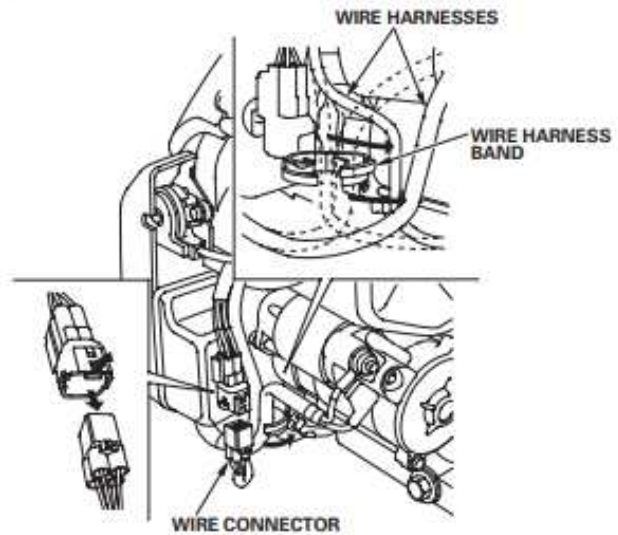
ENGINE WILL NOT START	Possible Cause	Correction
1. Electric starting: Check battery and fuse.	Battery discharged.	Recharge battery.
	Fuse burnt out.	Replace fuse.
2. Check control positions.	Fuel valve CLOSED or OFF. (If equipped)	Move lever to OPEN or ON position.
	Choke OPEN.	Move knob to CLOSED position unless the engine is warm (p. 4).
	Engine switch OFF.	Turn engine switch to ON position (p. 5).
3. Check engine oil level.	Engine oil level low (Oil Alert stops engine).	Fill with the recommended oil to the proper level (p. 8).
4. Check fuel.	Out of fuel.	Refuel (p. 7).
	Stale fuel; engine stored without treating or draining gasoline, or refueled with stale gasoline.	Drain fuel tank and carburetor (p. 12). Refuel with fresh gasoline (p. 7).
5. Remove and inspect spark plugs.	Spark plugs faulty, fouled, or improperly gapped.	Gap, or replace spark plugs (p. 10).
	Spark plugs wet with fuel (flooded engine).	Dry and reinstall spark plugs (p. 10). Start engine with throttle lever in MAX. position (p. 6).
6. Take engine to an authorized Honda servicing dealer, or refer to shop manual.	Fuel filter restricted, carburetor malfunction, ignition malfunction, valves stuck, etc.	Replace or repair faulty components as necessary.

ENGINE LACKS POWER	Possible Cause	Correction
1. Check air filter.	Filter element(s) restricted.	Clean or replace filter element(s) (p. 9).
2. Check fuel.	Stale fuel; engine stored without treating or draining gasoline, or refueled with stale gasoline.	Drain fuel tank and carburetor (p. 12). Refuel with fresh gasoline (p. 7).
3. Take engine to an authorized Honda servicing dealer, or refer to shop manual.	Fuel filter restricted, carburetor malfunction, ignition malfunction, valves stuck, etc.	Replace or repair faulty components as necessary.

FUSE REPLACEMENT

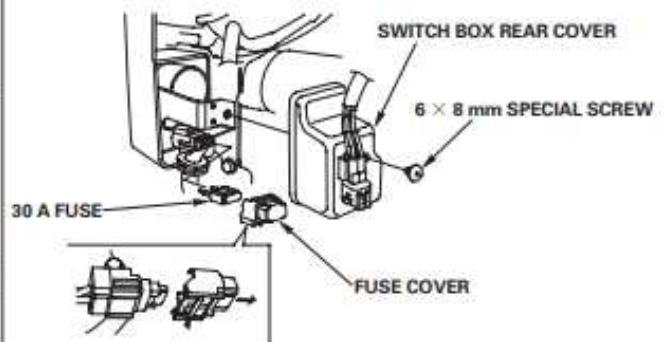
The electric starter relay circuit and battery charging circuit are protected by a 30-ampere fuse. If the fuse burns out, the electric starter will not operate.

1. Disconnect the wire connector, and remove the wire harnesses from the wire harness band.



2. Remove the 6 × 8 mm special screw from the rear cover of the engine switch box, and remove the rear cover.

3. Remove the fuse cover, and inspect the fuse.



If the fuse is burnt out, remove the fuse cover, then pull out and discard the burnt-out fuse. Install a new 30-ampere fuse, and reinstall the fuse cover.

NOTICE

Never use a fuse with a rating greater than 30 amperes. Serious damage to the electrical system or a fire could result.

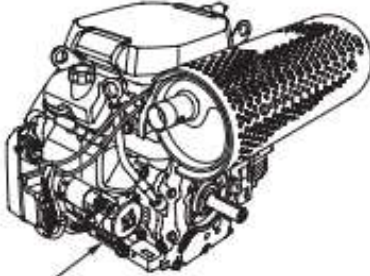
4. Reinstall the rear cover. Install the 6 × 8 mm special screw and tighten it securely.

Frequent fuse failure usually indicates a short circuit or an overload in the electrical system. If the fuse burns out frequently, take the engine to a Honda servicing dealer for repair.

TECHNICAL INFORMATION

Serial Number Location

Record the engine serial number, type and purchase date in the spaces below. You will need this information when ordering parts and when making technical or warranty inquiries.



SERIAL NUMBER & ENGINE TYPE LOCATION

Engine serial number: _____

Engine type: _____

Date Purchased: ____ / ____ / ____

Battery Connections for Electric Starter

Recommended Battery

GX630	12 V—36 Ah
GX660	
GX690	

Be careful not to connect the battery in reverse polarity, as this will short circuit the battery charging system. Always connect the positive (+) battery cable to the battery terminal before connecting the negative (-) battery cable, so your tools cannot cause a short circuit if they touch a grounded part while tightening the positive (+) battery cable end.

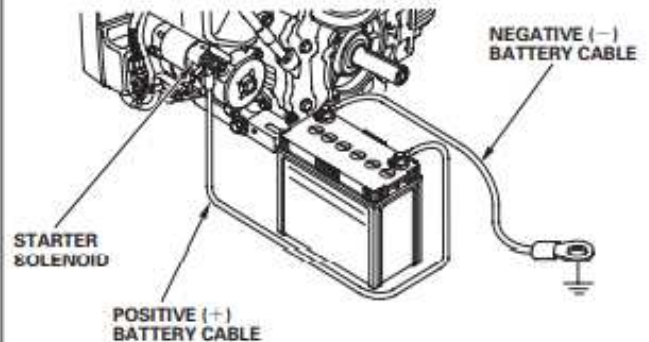
⚠ WARNING

A battery can explode if you do not follow the correct procedure, seriously injuring anyone nearby.

Keep all sparks, open flames, and smoking materials away from the battery.

WARNING: Battery posts, terminals, and related accessories contain lead and lead compounds. **Wash hands after handling.**

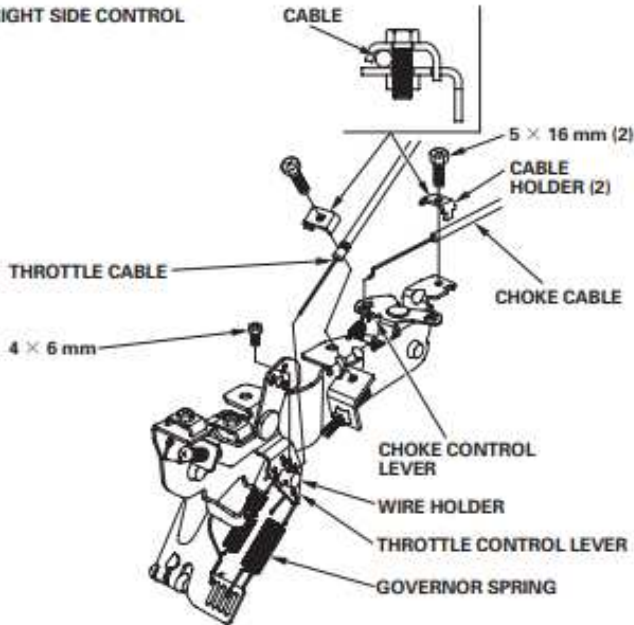
1. Connect the battery positive (+) cable to the starter solenoid terminal as shown.
2. Connect the battery negative (-) cable to an engine mounting bolt, frame bolt, or other good engine ground connection.
3. Connect the battery positive (+) cable to the battery positive (+) terminal as shown.
4. Connect the battery negative (-) cable to the battery negative (-) terminal as shown.
5. Coat the terminals and cable ends with grease.



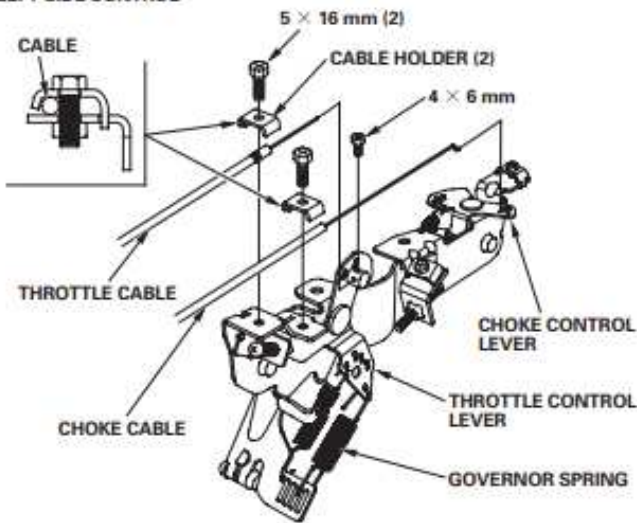
Remote Control Linkage

The throttle and choke control levers are provided with holes for optional cable attachment. The following illustrations show installation examples for a solid wire cable and for a flexible, braided wire cable.

RIGHT SIDE CONTROL

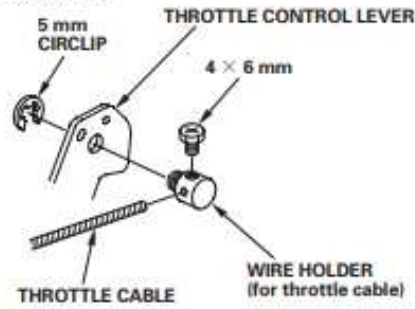


LEFT SIDE CONTROL

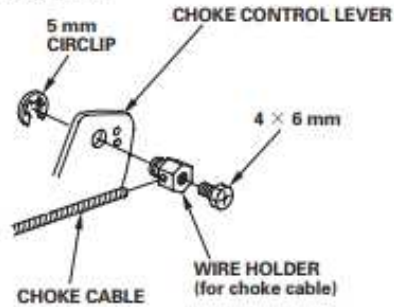


WIRE HOLDER

• For Throttle Cable



• For Choke Cable



Carburetor Modifications for High Altitude Operation

At high altitude, the standard carburetor air-fuel mixture will be too rich. Performance will decrease, and fuel consumption will increase. A very rich mixture will also foul the spark plug and cause hard starting. Operation at an altitude that differs from that at which this engine was certified, for extended periods of time, may increase emissions.

High altitude performance can be improved by specific modifications to the carburetor. If you always operate your engine at altitudes above 1,500 meters (5,000 feet), have your servicing dealer perform this carburetor modification. This engine, when operated at high altitude with the carburetor modifications for high altitude use, will meet each emission standard throughout its useful life.

Even with carburetor modification, engine horsepower will decrease about 3.5% for each 300 meter (1,000 foot) increase in altitude. The effect of altitude on horsepower will be greater than this if no carburetor modification is made.

NOTICE

When the carburetor has been modified for high altitude operation, the air-fuel mixture will be too lean for low altitude use. Operation at altitudes below 1,500 meters (5,000 feet) with a modified carburetor may cause the engine to overheat and result in serious engine damage. For use at low altitudes, have your servicing dealer return the carburetor to original factory specifications.

Emission Control System Information

Source of Emissions

The combustion process produces carbon monoxide, oxides of nitrogen, and hydrocarbons. Control of hydrocarbons and oxides of nitrogen is very important because, under certain conditions, they react to form photochemical smog when subjected to sunlight. Carbon monoxide does not react in the same way, but it is toxic.

Honda utilizes appropriate air/fuel ratios and other emissions control systems to reduce the emissions of carbon monoxide, oxides of nitrogen, and hydrocarbons. Additionally, Honda fuel systems utilize components and control technologies to reduce evaporative emissions.

The U.S., California Clean Air Act, and Environment Canada

EPA, California, and Canadian regulations require all manufacturers to furnish written instructions describing the operation and maintenance of emission control systems.

The following instructions and procedures must be followed in order to keep the emissions from your Honda engine within the emission standards.

Tampering and Altering

Tampering with or altering the emission control system may increase emissions beyond the legal limit. Among those acts that constitute tampering are:

- Removal or alteration of any part of the intake, fuel, or exhaust systems.
- Altering or defeating the governor linkage or speed-adjusting mechanism to cause the engine to operate outside its design parameters.

Problems That May Affect Emissions

If you are aware of any of the following symptoms, have your engine inspected and repaired by your servicing dealer.

- Hard starting or stalling after starting.
- Rough idle.
- Misfiring or backfiring under load.
- Afterburning (backfiring).
- Black exhaust smoke or high fuel consumption.

Replacement Parts

The emission control systems on your Honda engine were designed, built, and certified to conform with EPA, California (models certified for sale in California), and Canadian emission regulations. We recommend the use of Honda Genuine parts whenever you have maintenance done. These original-design replacement parts are manufactured to the same standards as the original parts, so you can be confident of their performance. The use of replacement parts that are not of the original design and quality may impair the effectiveness of your emission control system.

A manufacturer of an aftermarket part assumes the responsibility that the part will not adversely affect emission performance. The manufacturer or rebuilder of the part must certify that use of the part will not result in a failure of the engine to comply with emission regulations.

Maintenance

Follow the maintenance schedule on page 7. Remember that this schedule is based on the assumption that your machine will be used for its designed purpose. Sustained high-load or high-temperature operation, or use in unusually wet or dusty conditions, will require more frequent service.

Air Index

(Models certified for sale in California)

An Air Index Information label is applied to engines certified to an emission durability time period in accordance with the requirements of the California Air Resources Board.

The bar graph is intended to provide you, our customer, the ability to compare the emissions performance of available engines. The lower the Air Index, the less pollution.

The durability description is intended to provide you with information relating to the engine's emission durability period. The descriptive term indicates the useful life period for the engine's emission control system. See your *Emission Control System Warranty* for additional information.

Descriptive Term	Applicable to Emissions Durability Period
Moderate	50 hours (0 – 80 cc, inclusive) 125 hours (greater than 80 cc)
Intermediate	125 hours (0 – 80 cc, inclusive) 250 hours (greater than 80 cc)
Extended	300 hours (0 – 80 cc, inclusive) 500 hours (greater than 80 cc) 1,000 hours (225 cc and greater)

Specifications

GX630 (QAF-Type)

Length × Width × Height	405 × 410 × 438 mm (15.9 × 16.1 × 17.2 in)
Dry mass [weight]	44.4 kg (97.9 lbs)
Engine type	4-stroke, overhead valve, 2 cylinders (90° V-Twin)
Displacement [Bore × Stroke]	688.0 cm ³ (41.97 cu-in) [78.0 × 72.0 mm (3.07 × 2.83 in)]
Net power <small>(in accordance with SAE J1349*)</small>	15.5 kW (21.1 PS, 20.8 bhp) at 3,600 rpm
Max. Net torque <small>(in accordance with SAE J1349*)</small>	48.3 N·m (4.93 kgf·m, 35.6 lbf·ft) at 2,500 rpm
Engine oil capacity	Without oil filter replacement: 1.5 L (1.6 US qt, 1.3 Imp qt) With oil filter replacement: 1.7 L (1.8 US qt, 1.5 Imp qt)
Cooling system	Forced air
Ignition system	CDI type magneto ignition
PTO shaft rotation	Counterclockwise

GX660 (TAF-Type)

Length × Width × Height	429 × 450 × 438 mm (16.9 × 17.7 × 17.2 in)
Dry mass [weight]	45.3 kg (99.9 lbs)
Engine type	4-stroke, overhead valve, 2 cylinders (90° V-Twin)
Displacement [Bore × Stroke]	688.0 cm ³ (41.97 cu-in) [78.0 × 72.0 mm (3.07 × 2.83 in)]
Net power <small>(in accordance with SAE J1349*)</small>	16.0 kW (21.8 PS, 21.5 bhp) at 3,600 rpm
Max. Net torque <small>(in accordance with SAE J1349*)</small>	48.3 N·m (4.93 kgf·m, 35.6 lbf·ft) at 2,500 rpm
Engine oil capacity	Without oil filter replacement: 1.5 L (1.6 US qt, 1.3 Imp qt) With oil filter replacement: 1.7 L (1.8 US qt, 1.5 Imp qt)
Cooling system	Forced air
Ignition system	CDI type magneto ignition
PTO shaft rotation	Counterclockwise

GX690 (TAF-Type)

Length × Width × Height	429 × 450 × 438 mm (16.9 × 17.7 × 17.2 in)
Dry mass [weight]	45.3 kg (99.9 lbs)
Engine type	4-stroke, overhead valve, 2 cylinders (90° V-Twin)
Displacement [Bore × Stroke]	688.0 cm ³ (41.97 cu-in) [78.0 × 72.0 mm (3.07 × 2.83 in)]
Net power <small>(in accordance with SAE J1349*)</small>	16.5 kW (22.4 PS, 22.1 bhp) at 3,600 rpm
Max. Net torque <small>(in accordance with SAE J1349*)</small>	48.3 N·m (4.93 kgf·m, 35.6 lbf·ft) at 2,500 rpm
Engine oil capacity	Without oil filter replacement: 1.5 L (1.6 US qt, 1.3 Imp qt) With oil filter replacement: 1.7 L (1.8 US qt, 1.5 Imp qt)
Cooling system	Forced air
Ignition system	CDI type magneto ignition
PTO shaft rotation	Counterclockwise

* The power rating of the engine indicated in this document is the net power output tested on a production engine for the engine model and measured in accordance with SAE J1349 at 3,600 rpm (Net Power) and at 2,500 rpm (Max. Net Torque). Mass production engines may vary from this value. Actual power output for the engine installed in the final machine will vary depending on numerous factors, including the operating speed of the engine in application, environmental conditions, maintenance, and other variables.

Tuneup Specifications GX630/660/690

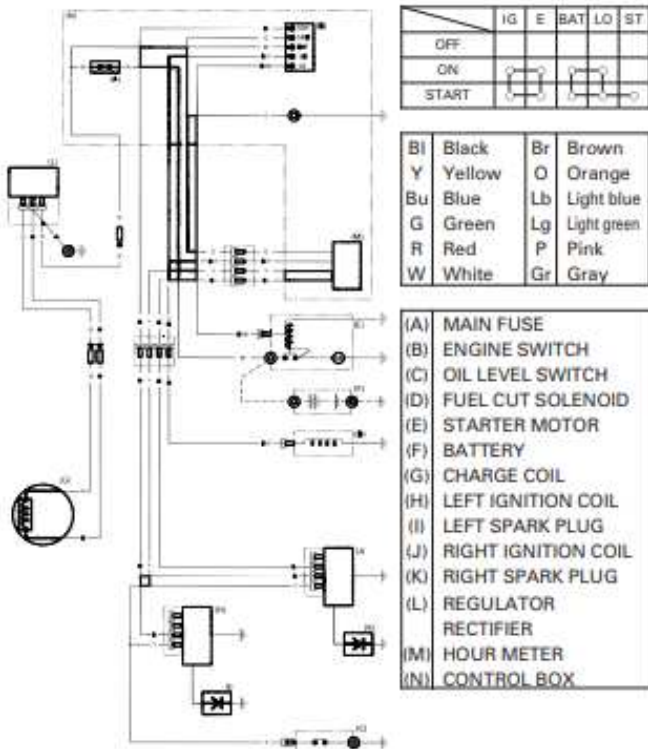
ITEM	SPECIFICATION	MAINTENANCE
Spark plug gap	0.7 – 0.8 mm (0.028 – 0.031 in)	Refer to page 10
Idle speed	1,400 ± 150 rpm	See your authorized Honda dealer
Valve clearance (cold)	IN: 0.08 ± 0.02 mm EX: 0.10 ± 0.02 mm	See your authorized Honda dealer
Other specifications	No other adjustments needed.	

Quick Reference Information

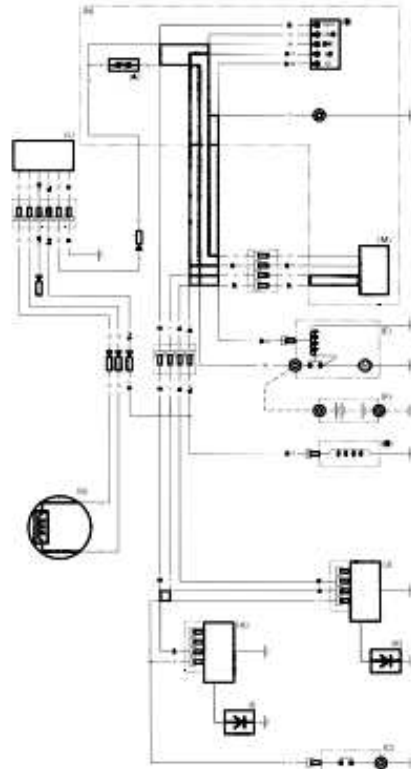
Fuel	Unleaded gasoline (Refer to page 7).	
	U. S.	Pump octane rating 86 or higher
	Except U. S.	Research octane rating 91 or higher Pump octane rating 86 or higher
Engine oil	SAE 10W-30, API SJ or later, for general use. Refer to page 8.	
Spark plug	ZFR5F (NGK)	
Maintenance	Before each use: • Check engine oil level. Refer to page 8. • Check air filter. Refer to page 9. First 20 hours: • Change engine oil. Refer to page 8. Subsequent: Refer to the maintenance schedule on page 7.	

Wiring Diagrams

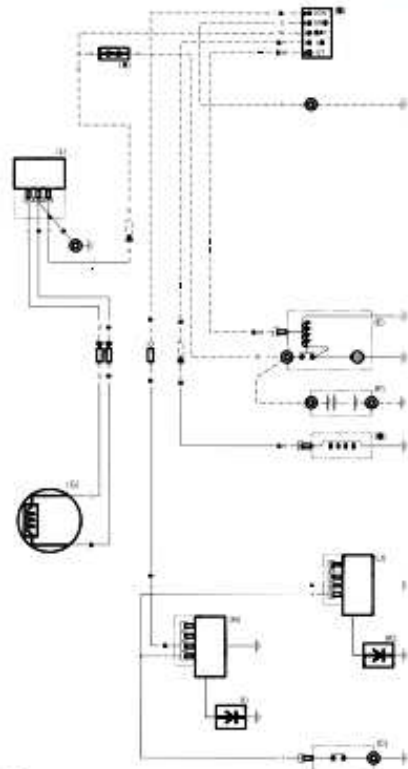
2.7 A Charge Coil and With Control Box Type



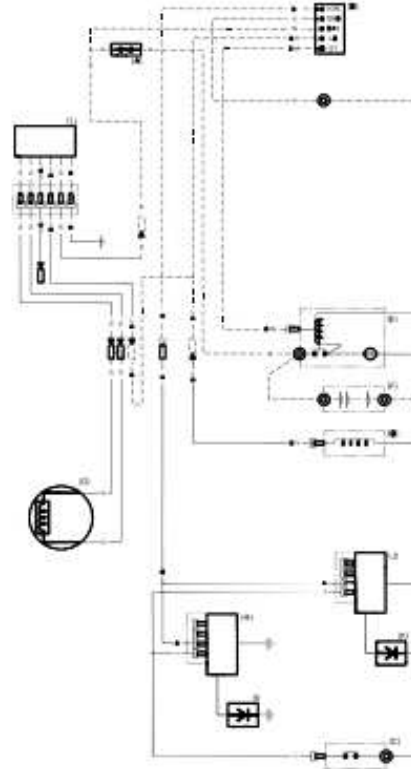
17 A Charge Coil and With Control Box Type



2.7 A Charge Coil and Without Control Box Type



17 A Charge Coil and Without Control Box Type



CONSUMER INFORMATION

WARRANTY AND DISTRIBUTOR/DEALER LOCATOR INFORMATION

United States, Puerto Rico, and U.S. Virgin Islands:
Visit our website: www.honda-engines.com

Canada:
Call (888) 9HONDA9
or visit our website: www.honda.ca

For European Area:
Visit our website: <http://www.honda-engines-eu.com>

Australia:
Call (03) 9270 1348
or visit our website: www.hondampe.com.au

CUSTOMER SERVICE INFORMATION

Servicing dealership personnel are trained professionals. They should be able to answer any question you may have. If you encounter a problem that your dealer does not solve to your satisfaction, please discuss it with the dealership's management. The Service Manager, General Manager, or Owner can help. Almost all problems are solved in this way.

United States, Puerto Rico, and U.S. Virgin Islands:

If you are dissatisfied with the decision made by the dealership's management, contact the Honda Regional Engine Distributor for your area.

If you are still dissatisfied after speaking with the Regional Engine Distributor, you may contact the Honda Office as shown.

All Other Areas:

If you are dissatisfied with the decision made by the dealership's management, contact the Honda Office as shown.

(Honda's Office)

When you write or call, please provide this information:

- Equipment manufacturer's name and model number that the engine is mounted on
- Engine model, serial number, and type (see page 14)
- Name of dealer who sold the engine to you
- Name, address, and contact person of the dealer who services your engine
- Date of purchase
- Your name, address and telephone number
- A detailed description of the problem

United States, Puerto Rico, and U.S. Virgin Islands:

American Honda Motor Co., Inc.
Power Equipment Division
Customer Relations Office
4900 Marconi Drive
Alpharetta, GA 30005-8847

Or telephone: (770) 497-6400, 8:30 am - 7:00 pm ET

Canada:

Honda Canada, Inc.
Please visit www.honda.ca
for address information

Telephone: (888) 9HONDA9 Toll free
(888) 946-6329
Facsimile: (877) 939-0909 Toll free

Australia:

Honda Australia Motorcycle and Power Equipment Pty. Ltd.
1954 - 1956 Hume Highway
Campbellfield Victoria 3061

Telephone: (03) 9270 1111
Facsimile: (03) 9270 1133

For European Area:

Honda Europe NV.
European Engine Center

<http://www.honda-engines-eu.com>

All Other Areas:

Please contact the Honda distributor in your area for assistance.

HONDA
The Power of Dreams

15. Checking the oil level in the engine

The oil level can only be checked when the engine is switched off and cool. Take the dipstick (Fig. 8) out and clean with a clean cloth. Then insert it all the way back into the oil pipe without screwing the cap on. Check the oil level after removing it. If the oil level is too low (below the minimum level mark), add the correct oil without exceeding the maximum level.

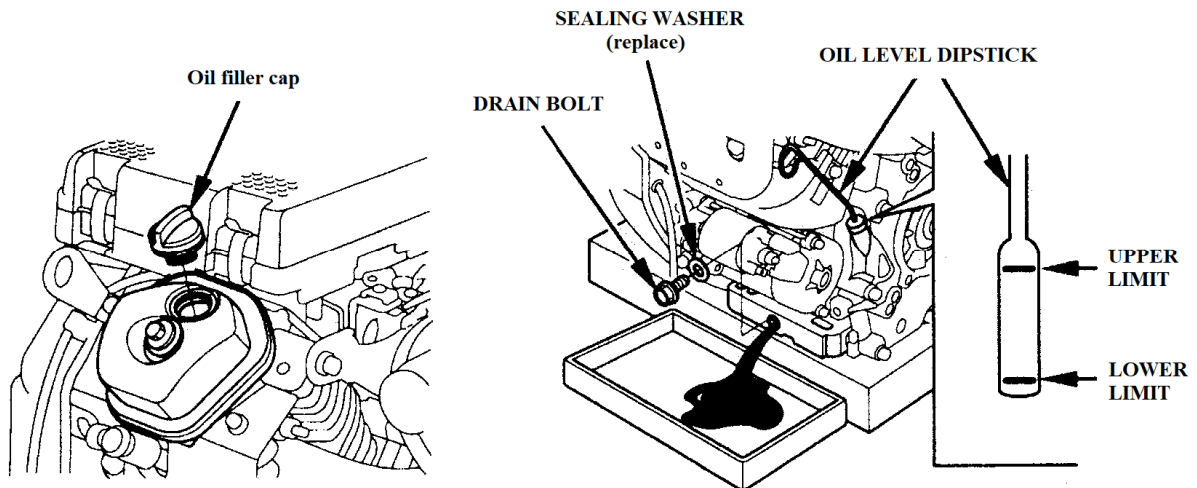


Fig. 8

16. Recommended engine oil

SF type SAE 10 W 30 oil should be used in case of shortage.

Using other oils may damage the engine and void the warranty.

17. Reducer

The reducer (reducers) used is the so-called maintenance-free reducer, i.e. does not require daily oil level control.

18. Activities after completion of work

After finishing work, make sure that the machine is thoroughly cleaned. Thoroughly grease all working parts such as the crosspiece.

In case of temperatures below zero after finishing work, empty the mashing surface spray system, empty the water tank by activating the spraying system.

THESE OPERATIONS MAY ONLY BE PERFORMED WITH THE ENGINE OFF!

19. Machine storage

If it is necessary to stop the machine for a long time (1-6 months), e.g. in winter, store the machine in a dry and heated place. Thorough cleaning and maintenance of the machine (e.g., lubrication of crosses) is recommended.

20. Transport

K-436-2 trowel can only be transported using a transport trolley in case of short distances or e.g. a mobile crane when we want to lift the trowel and move it to another place using the transport handles (Fig. 1 item 12).

21. Technical Inspection Table

OPERATIONS	Frequency (man hours)				
	Before start-up	25	50	250	1000 (6-months)
Air filter check	X				
Air filter replacement			X		
Spark plugs check	X				
Spark plugs replacement			X	X	
Engine oil check	X				
Engine oil change			X	X	
Oil control in gears	X				
Hydraulic filter replacement				X	X
Oil change in the hydraulic system				X	X
Fuel filter check		X			
Fuel filter replacement			X		
Checking the technical condition of the machine	X				
Crosspiece maintenance	X				
Technical inspection of the machine				X	X

Technical inspections with a frequency of 250 operating hours or every 6 months may only be carried out by the manufacturer's authorized service centre.

Repairs and technical inspections of the hydraulic system may only be carried out by the manufacturer's trained employees, both at the customer's site and at KREBER headquarters.

Non-compliance with the recommended maintenance intervals may cause damage to the machine and void the warranty!

WARRANTY CARD

This document authorizes the buyer

to the warranty service of KREBER Maszyny Budowlane Sp. z o.o.

Machine type **K- 436-2** Serial number of the machine

Engine **HONDA GX 690** Engine number

Sale date Sale document number

The pre-sales inspection was carried out on, the instruction manual was attached to the machine and the customer was trained in the operation of the machine / device.

.....
date and stamp of the seller

.....
the buyer's signature

List of repairs during the warranty period

item	Date of receipt for repair	Repair date	Description of repair activities	Signature and stamp

WARRANTY TERMS AND CONDITIONS

KREBER Maszyny Budowlane Sp. z o. o. based in Wąbrzeźno guarantees the proper operation of machines and devices within 12 months from the date of sale and provides free repair of damage caused by material, design or assembly defects within 14 days from the date of notification of the fault and delivery to an authorized service center.

1. Under the warranty, the seller undertakes to:
 - failure removal within 14 days of delivery of the machine/device to an authorized service centre
 - covering the costs of spare parts and labour (if warranty repair is justified)
2. Warranty repairs will be made only on the basis of a valid warranty card. A valid warranty card is a card with all the Buyer's headings filled in, i.e. the name and address of the buyer, date and place of purchase of the machine / device, type and number of the machine / device, engine model and its number as well as the seller's stamp and buyer's signatures.
3. Carrying out repairs on one's own or in plants not authorized by KREBER Maszyny Budowlane Sp. z o. o. without the guarantor's knowledge and consent will void the warranty.
4. The date of acceptance for repair is the delivery of the machine/device to an authorized service centre and signing the report of acceptance for repair.
5. The costs associated with reporting a fault, delivery of the machine/device to an authorized service centre, insurance and freight are covered by the claimant.
6. The choice of how to rectify the fault of the machine/device is up to the guaranteeing party.
7. Use of the machine/device contrary to its intended use and non-compliance with the instructions contained in the operating manual will void the warranty.
8. The warranty does not apply to parts and components the natural wear and tear of which occurs before the end of the warranty period, and in particular to all rubber components, gaskets, sealants, quick couplings, clutch linings, etc.
9. Under the guarantee, in no case will KREBER Maszyny Budowlane Sp. z o. o. be liable for the consequences of a fault in a machine/device, i.e. secondary damage, loss of profit, etc.
10. The liability of the guarantor under the warranty for hidden defects of goods is excluded in accordance with article 558 item 1 of the Polish Civil Code.
11. The warranty expires completely in the following cases:
 - after 12 months from the date of sale of the machine/device
 - if the machine is used contrary to its intended use and the operating manual
 - in the event of damage or absence of machine/device identification markings
 - if the warranty card is filled in incorrectly or not at all
12. The warranty card is filled out and delivered to the buyer by an authorized point of sale, which immediately sends its copy to the headquarters of KREBER Maszyny Budowlane Sp. z o.o.

.....
Buyer's signature